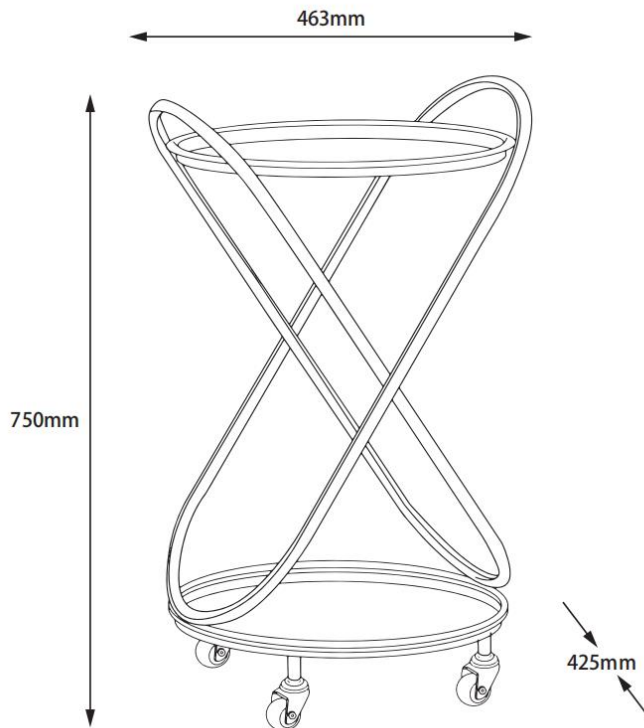


# ASSEMBLY INSTRUCTION

## AMBOISE

Gold Bar Cart

68323



Imported by JWA Furniture Pty Ltd, Qld, Brisbane Australia.  
For any assistance with assembly or for missing parts please refer to your receipt

# SAFETY BRACKETS INSTRUCTIONS

1. Install Plastic Screw Anchor in the wall and attach one Mounting Plate to the anchors with the Large Screws. Make sure to attach the Mounting Plate into a stud.
2. Attach the second Mounting Plate to the furniture frame with the Short Screws.
3. Move the furniture to its final position. Thread a Wall Strap through the both Mounting Plates and tighten until snug. Do not over tighten.
4. Make sure that the Mounting Plates are firmly attached to the wall and furniture and that the Wall Strap is snug.
5. NOTE: Please adjust the installation mode of the safety bracket according to the actual situation.

## HARDWARE



Mounting Plate x 2



Wall Strap x 1



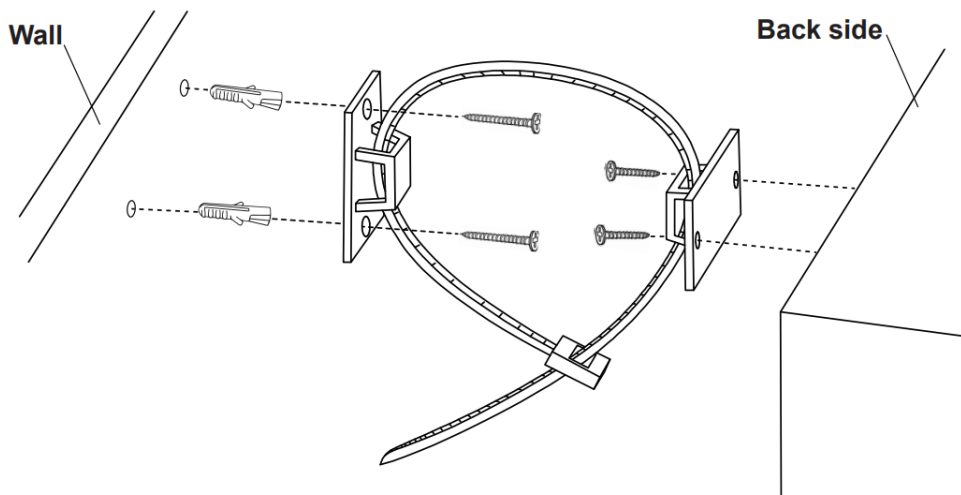
Plastic Screw Anchor x 2



Large Screw x 2



Small Screw x 2



## **PRODUCT CARE:**

To protect your furniture, we suggest the following:

- Avoid placing your furniture in direct sunlight.
- Do not place furniture directly under windows.
- Do not place sharp materials (knife, fork, etc.) directly onto your furniture as sharp material may scrape and damage the finish.
- Do not place material with high temperature directly onto the surface of your furniture.
- Clean up spills quickly. Water left over a prolonged period of time may cause damage. Alcohol, perfume, nail polishes, aftershave and some medication may cause severe finish damage if not cleaned immediately.
- Use a clean, soft, dry, lint free absorbent cloth to clean your furniture. Do not use any detergent as they may contain ingredients that may react and damage the finish.